

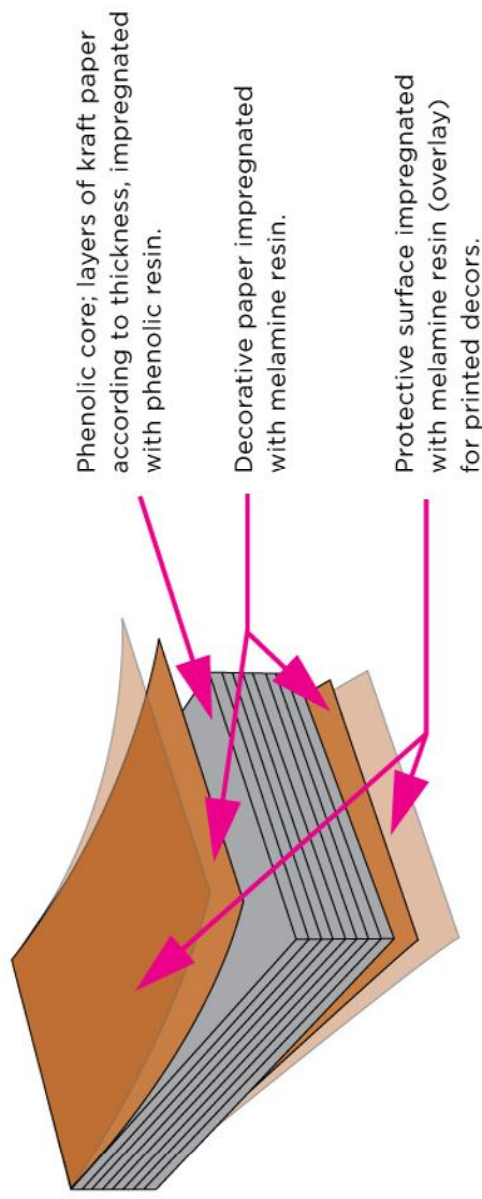
NBN RESOURCES SDN BHD

A leading specialist and contractors in design supply and install of **TOILET CUBICLE SYSTEM**. Offering wide ranges of cubicle, changing room, shower cubicle, as well as custom cubicle based upon High Pleasure phenolic compact laminate board for lavatory sector. Our systems provide the qualities of durability, wear and humidity resistant, and it's easy to maintain. Our entire products available in a range of colors and designs including solid, dust, wood grain, aluminum effect, customize design and layout to meet the growing market requirement today.

On materials, we are using Phenolic compact laminate as our panel which is Non corrosive, Anti-static, Resistance on wearing, impact, heat, moisture and steam is used for main structure, it's come with heavy duty, non corrosive aluminum for support fittings. It's also optional with non corrosive full Nylon and heavy duty stainless steel accessories.

Into project, a numbers of skillful installer is ready to provide installation, repair and maintenance. With our experience profession background, it does always help us to work out with our customers in on time delivery, encounter project issues and always solved in the best way.

Your trusted partner in toilet cubicle matters.



SET-N



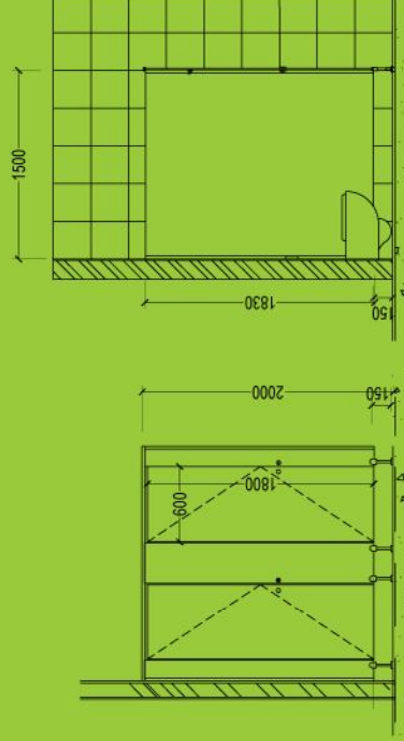
Specification

To supply and install NBN Toilet Cubicle 'Set-N' consist of 10mm thickness finished high pressure laminate phenolic compact board with melamine resin impregnated decorative paper on both sides. Nylon accessories, heavy duty aluminium and all necessary fittings are in accordance with manufacturer's details.

Accessories & Fittings

Nylon Accessories & Aluminium Fittings (BK).

*Standard height 2000mm including 150mm floor clearance, depth of 1500mm is recommended for wastage reduction on material.



SET-S



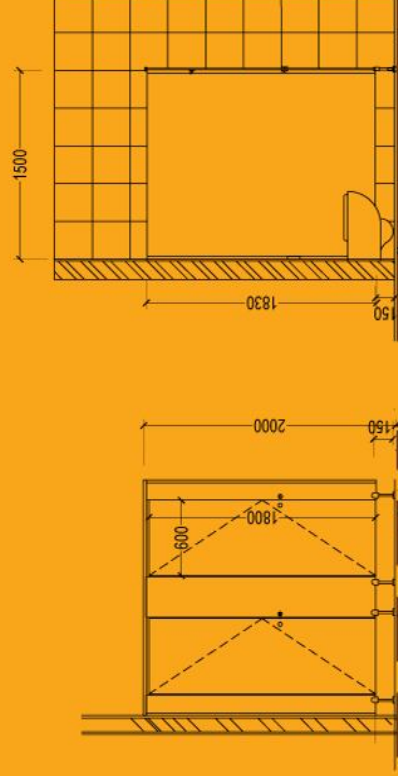
Specification

To supply and install NBN Toilet Cubicle 'Set-S' consist of 10mm thickness finished high pressure laminated phenolic compact board with melamine resin impregnated decorative paper on both sides, Stainless steel accessories, heavy duty aluminium and all necessary fittings are in accordance with manufacturer's details.

Accessories & Fittings

Stainless Steel Accessories & Aluminium Fittings (NA).

*Standard height 2000mm including 150mm floor clearance, depth of 1500mm is recommended for wastage reduction on material.



SET-B



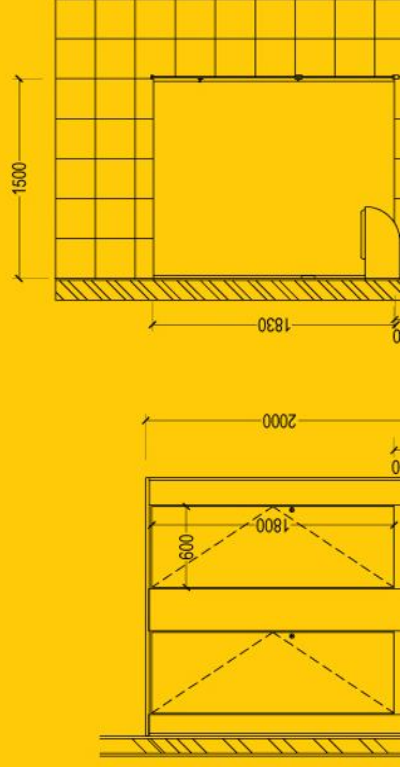
Specification

To supply and install NBN Toilet Cubicle 'Set-B' consist of 10mm thickness finished high pressure laminate phenolic compact board with melamine resin impregnated decorative paper on both sides, Stainless steel accessories, heavy duty aluminum and all necessary fittings are in accordance with manufacturer's details.

Accessories & Fittings

Stainless Steel Accessories & Aluminium Fittings (NA)

*Standard height 2000mm including 150mm floor clearance, depth of 1500mm is recommended for wastage reduction on material.



SET-H



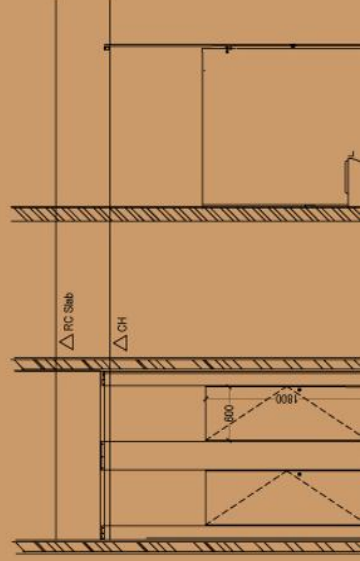
Specification

To supply and install NBN Toilet Cubicle 'Set-H' consist of 10mm thickness finished high pressure laminate phenolic compact board with melamine resin impregnated decorative paper on both sides, Stainless steel accessories, heavy duty aluminum, Metal Steel 'C' channel and all necessary fittings are in accordance with manufacturer's details.

Accessories & Fittings

Stainless Steel Accessories Aluminium Fittings (NA) & Metal C-Channel.

*Height up to ceiling level with 150mm floor clearance.



SET-D



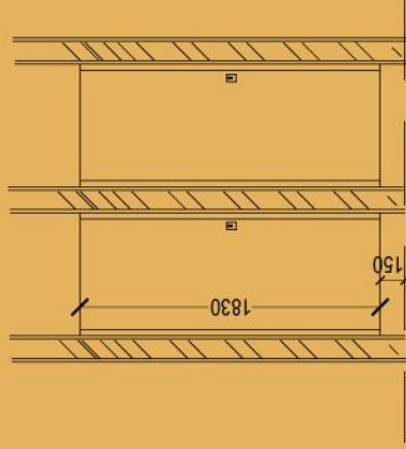
Specification

To supply and install NBN Toilet Cubicle 'Set-D' consist of 10mm thickness finished high pressure laminate phenolic compact board with melamine resin impregnated decorative paper on both sides, Stainless steel accessories, heavy duty aluminum and all necessary fittings are in accordance with manufacturer's details.

Accessories & Fittings

Stainless Steel Accessories & Aluminium Door Frame.

*Board height 1830mm, 150mm floor clearance.



SET-E

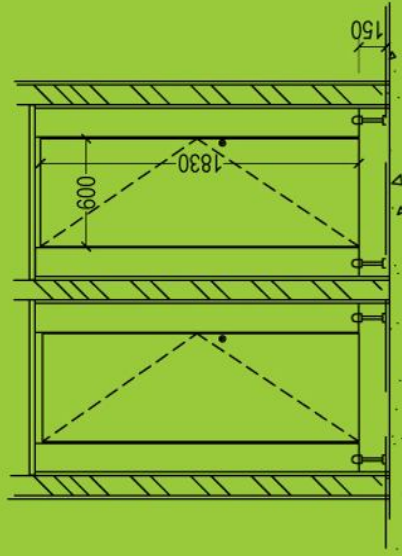


Specification

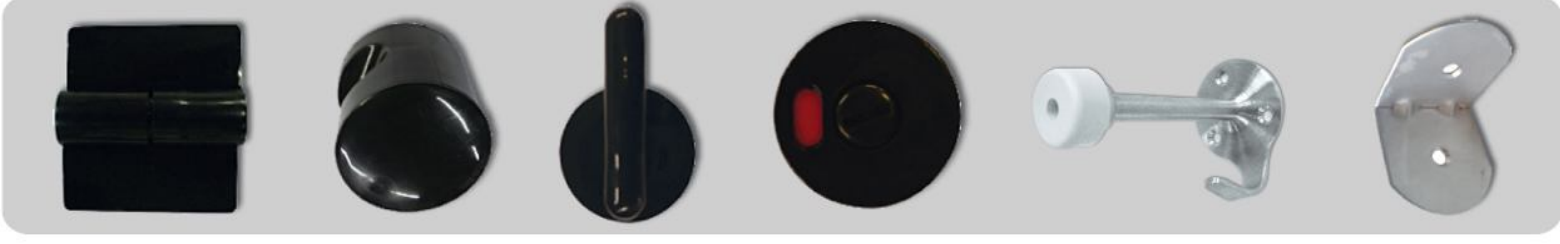
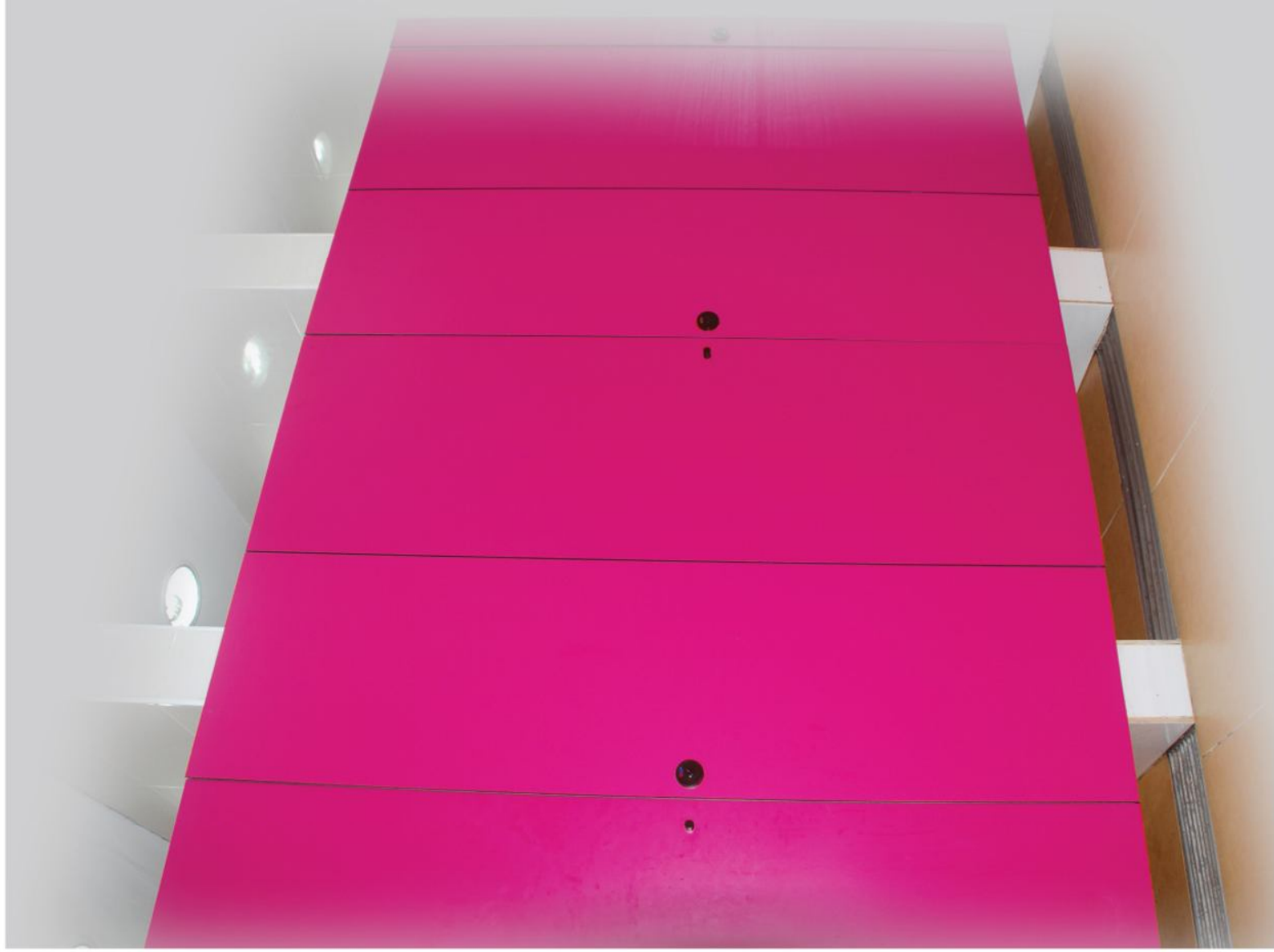
To supply and install NBN Toilet Cubicle 'Set-E' consist of 10mm thickness finished high pressure laminate phenolic compact board with melamine resin impregnated decorative paper on both sides, Nylon accessories, heavy duty aluminium and all necessary fittings are in accordance with manufacturer's details.

Accessories & Fittings
Nylon Accessories & Aluminium Fittings (BK).

*Standard height 2000mm including 150mm floor clearance.



SET-F



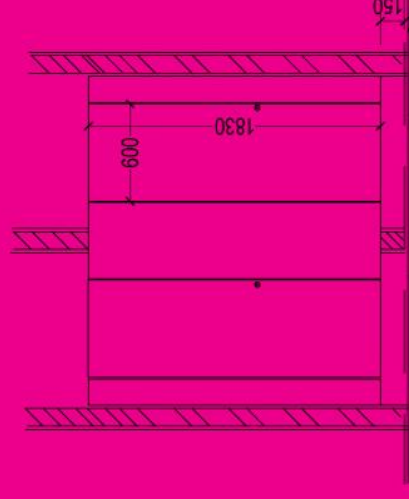
Specification

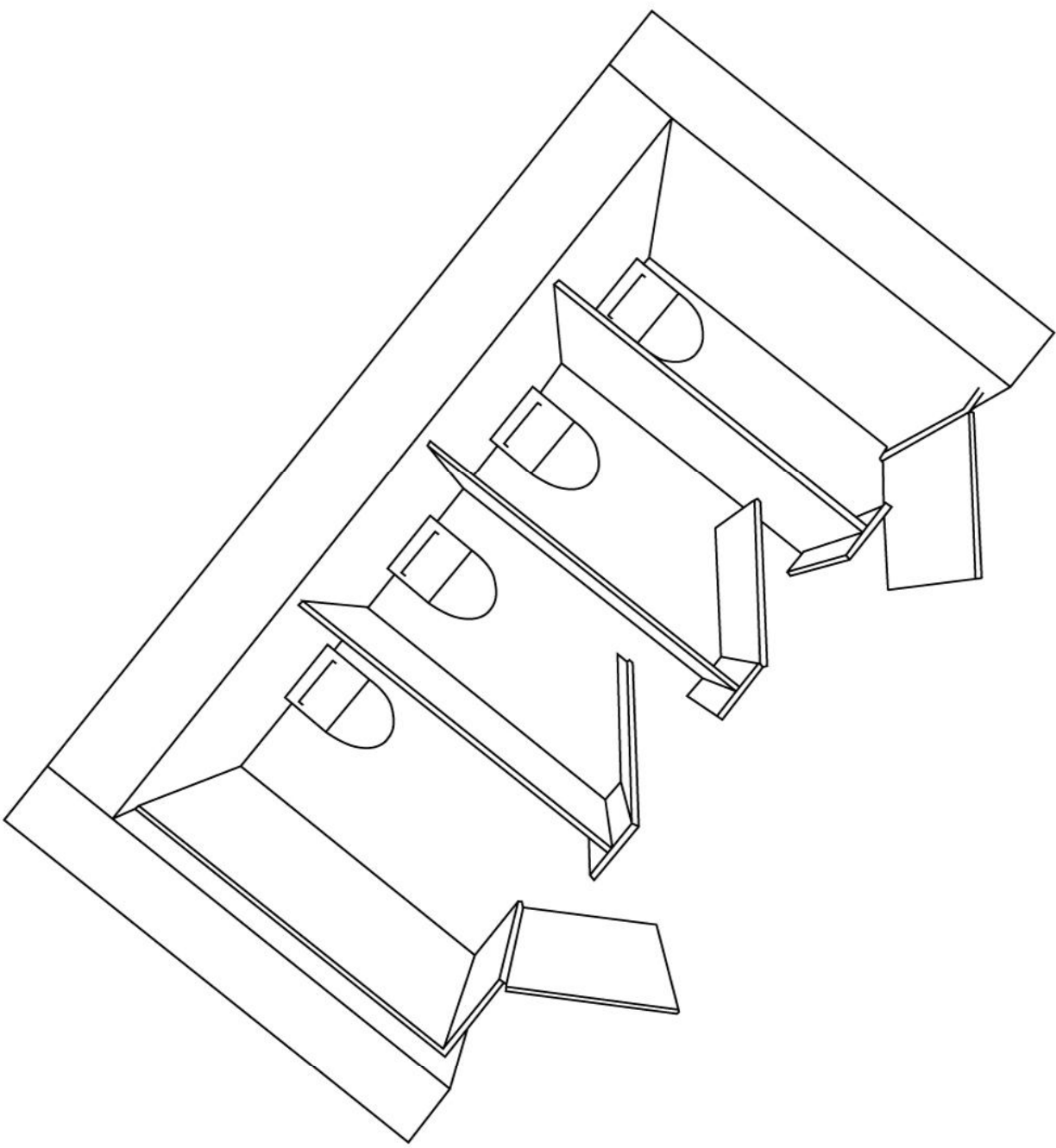
To supply and install NBN Toilet Cubicle 'Set-F' consist of 10mm thickness finished high pressure laminate phenolic compact board with melamine resin impregnated decorative paper on both sides, Stainless steel accessories, heavy duty aluminum and all necessary fittings are in accordance with manufacturer's details.

Accessories & Fittings

Nylon accessories & Stainless Steel Accessories L Bracket.

*Board height 1830mm, 150mm floor clearance.





NBN RESOURCES SDN BHD
1037115-K

No. 32-2, 2nd Floor, Jalan 28/70A, Desa Sri Hartamas,
50480 Kuala Lumpur.

T : +603-2300 1851 **F** : +603-2300 1852

Email: support@nbn.com.my

Website: www.nbn.com.my